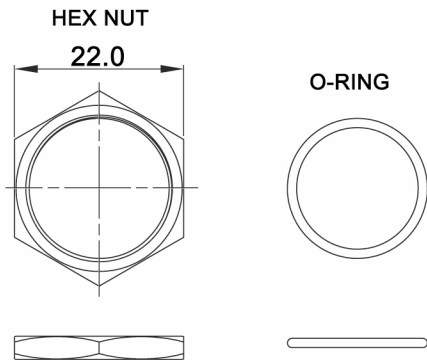


x	Bushing material	y	Wire length
AN	aluminum, natural	(empty)	300 mm
AB	aluminum, black anodized	-150	150 mm
D0	SUS 304		
D3	SUS 316		

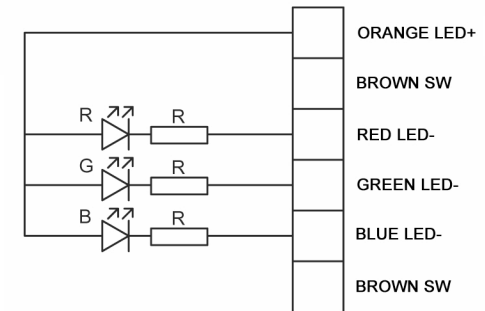
**HARDWARE**



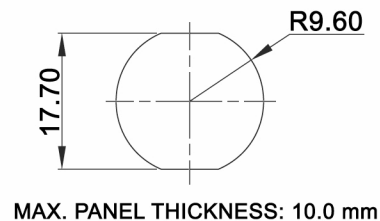
**Specifications:**

Contact rating: 1 A, 5-24 V AC/DC (pulse mode)  
 Contact resistance: 1 Ohm max.  
 Pulse duration: 200ms min.  
 Operating temperature: -20°C to +65°C  
 LED supply voltage: 12-24 V DC  
 Mechanical life: 50 000 000 cycles min.  
 IP class: IP68  
 Material: Bushing: see table "x"  
 Cap: PC, aluminum alloy  
 Sealing: silicone, epoxy  
 O-ring: silicone  
 Hex nut: brass, nickel plated

**APPLICATION DIAGRAM**



**PANEL CUT-OUT**



**Compliance: RohS III (2015/863/EU)**

Tolerances: 0.00: ±0.25 mm 0.0: ±0.40 mm		Date	Name
		09/21	dr
Modifications	Date	Name	

**PBP 19 xM-R-RGBy**

**knitter-switch**

**30 47 03**

Page

1/1